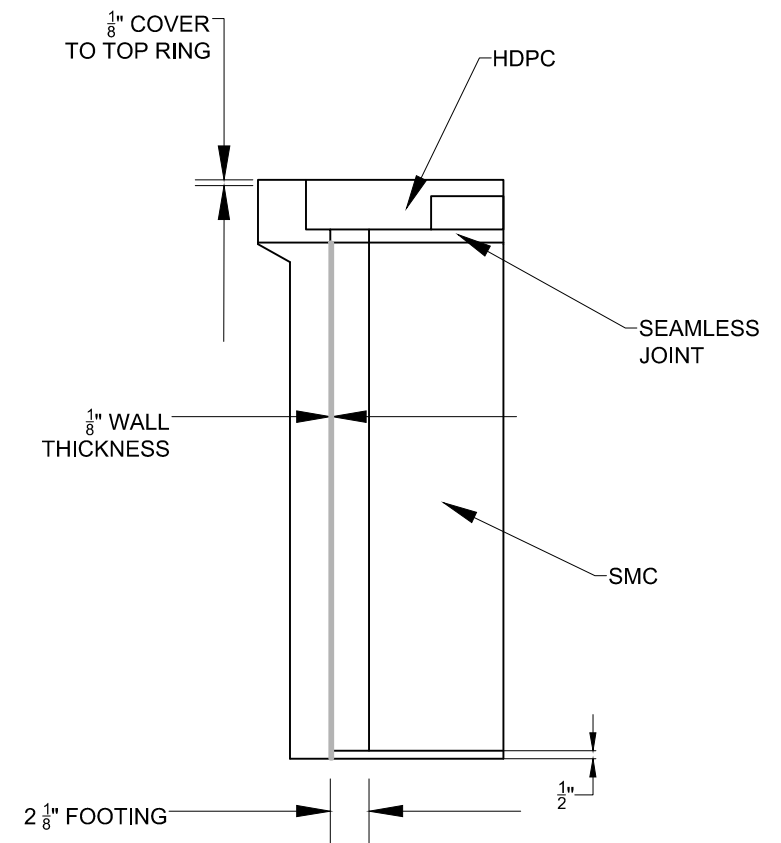
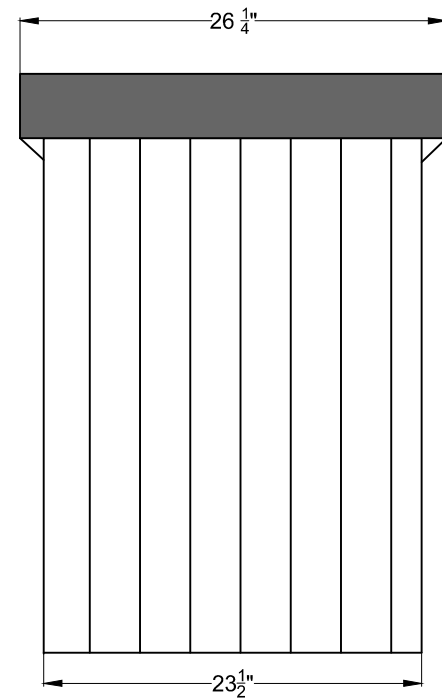
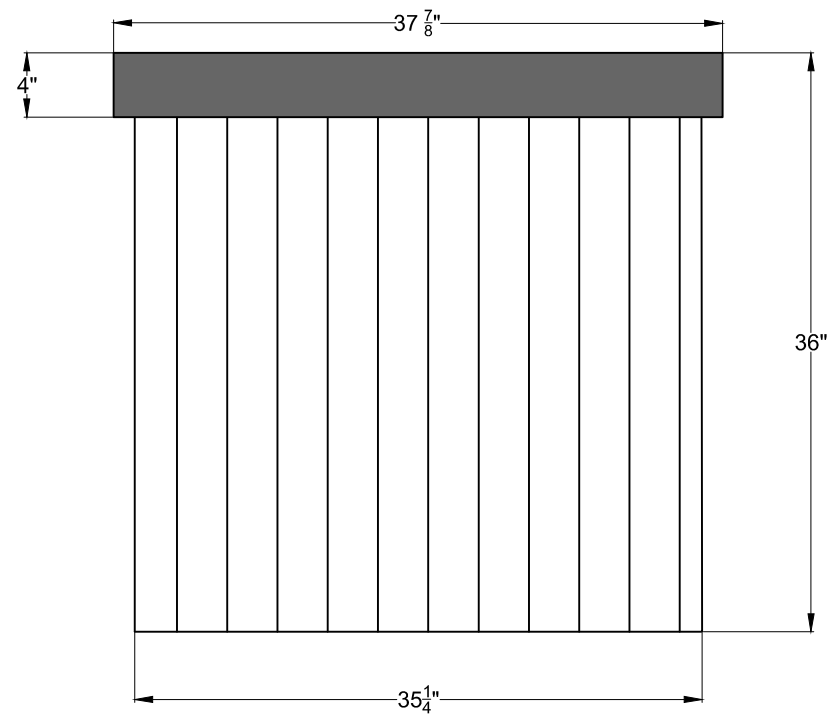
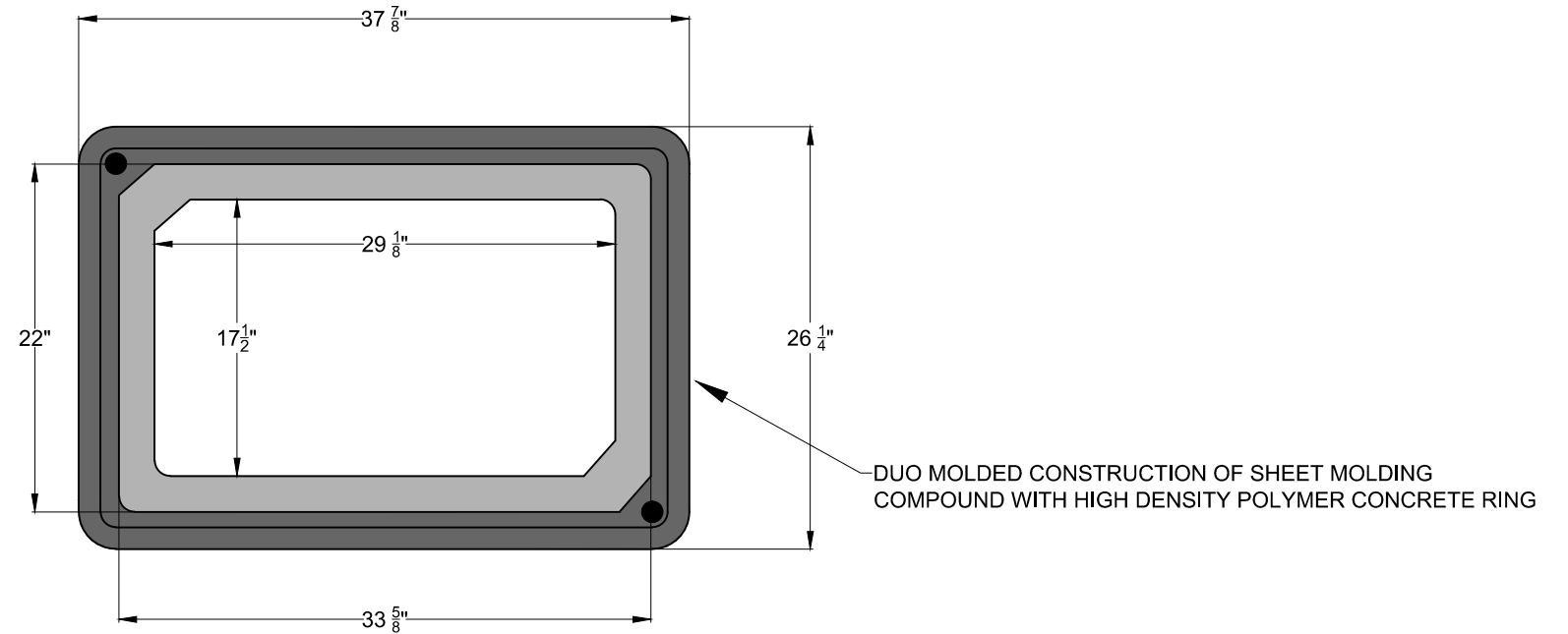



DUO MOLDED CONSTRUCTION OF HIGH DENSITY POLYMER CONCRETE SHEET MOLDING COMPOUND LINING



| | | | | | | | |
|-----|-----------|------|----|---------------------|-----------------------|---|-------------------------|
| | | | | REFERENCE SPEC. NO. | ENGINEER'S SEAL |  THE CITY OF WINNIPEG PUBLIC WORKS DEPARTMENT TRANSPORTATION DIVISION | SHEET OF |
| | | | | CW 3620 | | | CAD FILE DRAWING NUMBER |
| | | | | DESIGNED BY | CHECKED BY | TRAFFIC SIGNALS LARGE PRECAST SERVICE BOX 24" X 36" X 36" | CITY DRAWING NUMBER |
| | | | | DRAWN BY NKB | SCALE AS NOTED | | ST-192 |
| | | | | APPROVED BY | DATE | | |
| NO. | REVISIONS | DATE | BY | | | | |